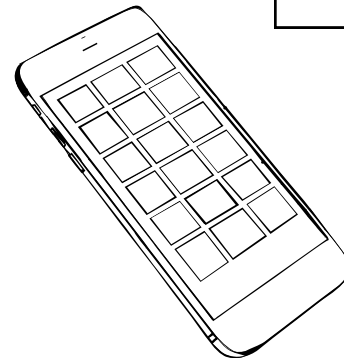
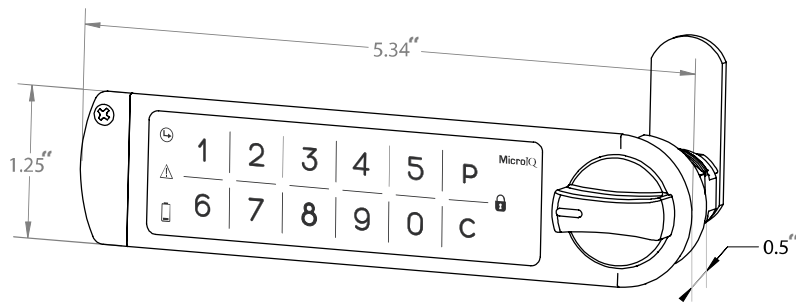


# MicroIQ Mobile

## BLE Cam Replacement

**UBL**  
series



### Installation and Set up

- Wireless installation takes less than 5 minutes
- Easily learn in hundreds of users
- Assign access parameters for each lock, employee, group, and location
- Fits into standard double-D key lock holes
- Secured coin cell battery is conveniently accessed from the outside of the lock
- Operates in station mode (repeated use) or locker mode (single use)

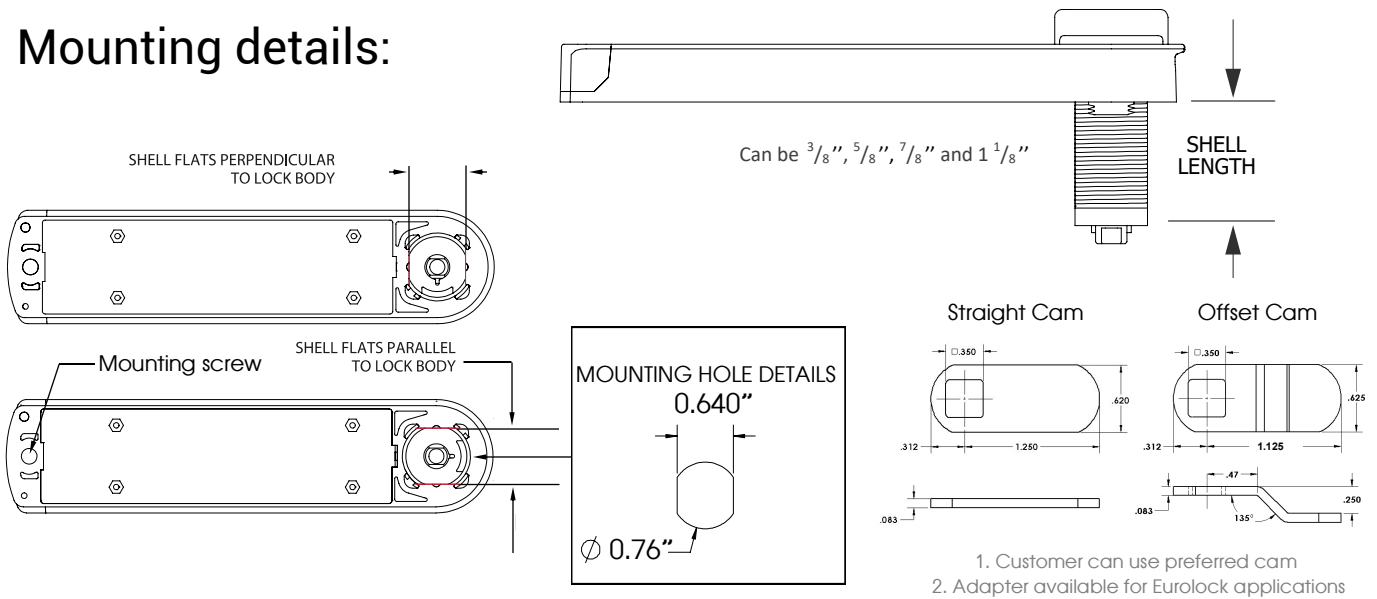
### Technology

- Access with your existing smartphone
- Manage access with MicroTraq, ProxTraq, and MobileTraq apps/portals
- Enterprise security administration from a single portal
- Generate audit trails to track user activity and lock/unlock attempts
- Remote enrollment of users

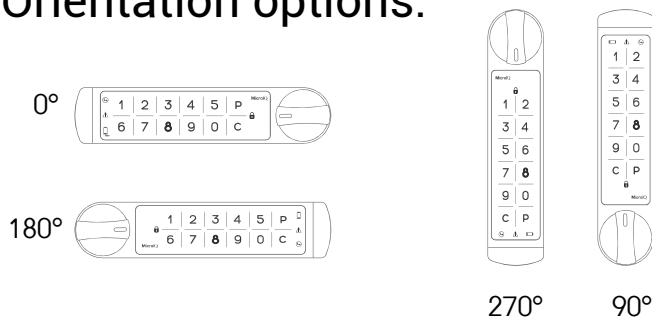
### Specifications

<b>Dimensions:</b> 5.38" w x 0.5" d x 1.25" h	<b>Power:</b> CR2450 coin cell battery
<b>Network data communication:</b> Bluetooth	<b>Battery life:</b> 1-2 years
<b>Compatible smartphones:</b> All common standards including Android 5.X, IOS 11 or higher.	<b>Operating modes:</b> (1) <u>Station Mode</u> : The lock is accessed by one or more users repeatedly. The lock memory retains codes until these codes are intentionally erased or replaced. (2) <u>Locker Mode</u> : For unassigned lockers or other storage units. The user chooses any available locker and connects to a phone or enters a one-time self-selected code. This code or phone is erased after the user unlocks the lock.
<b># of Users:</b> Each lock can store hundreds of users	<b>Keypad:</b> 10 Digit
<b>Levels of access:</b> master (6 digits), supervisor (3-6 digits), and user (3-6 digits)	<b>Operating temperature:</b> 32° - 122°
<b>Locking Mechanism:</b> Cam (see reverse side for details)	<b>Storage temperature:</b> 14° to 158°
<b>Shell length:</b> 3/8", 5/8", 7/8", 1 1/8"	<b>Operating moisture:</b> 20% - 80% Rh
<b>Knob rotation:</b> clockwise or counterclockwise; 90 or 180 degrees	<b>Interference:</b> Immune to physical shock and magnetic field
<b>Locking position:</b> one or two	<b>Cleaning:</b> withstand bleach and chemical cleaners

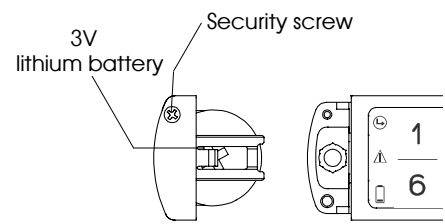
# Mounting details:



# Orientation options:



# Power:



# Lock management via ProTraQ Bluetooth and cloud database:

