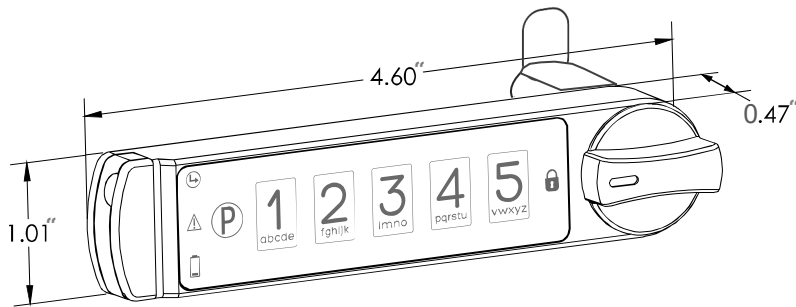


MicroIQ Prox™

RFID Cam Replacement

UW
series



Installation and Set up

- Wireless installation takes less than 5 minutes
- Easily learn in hundreds of Prox cards and smartphones
- Assign access parameters for each lock, employee, group, and location
- Fits into standard double-D key lock holes
- Secured coin cell battery is conveniently accessed from the outside of the lock
- Operates in station mode (repeated use) or locker mode (single use)

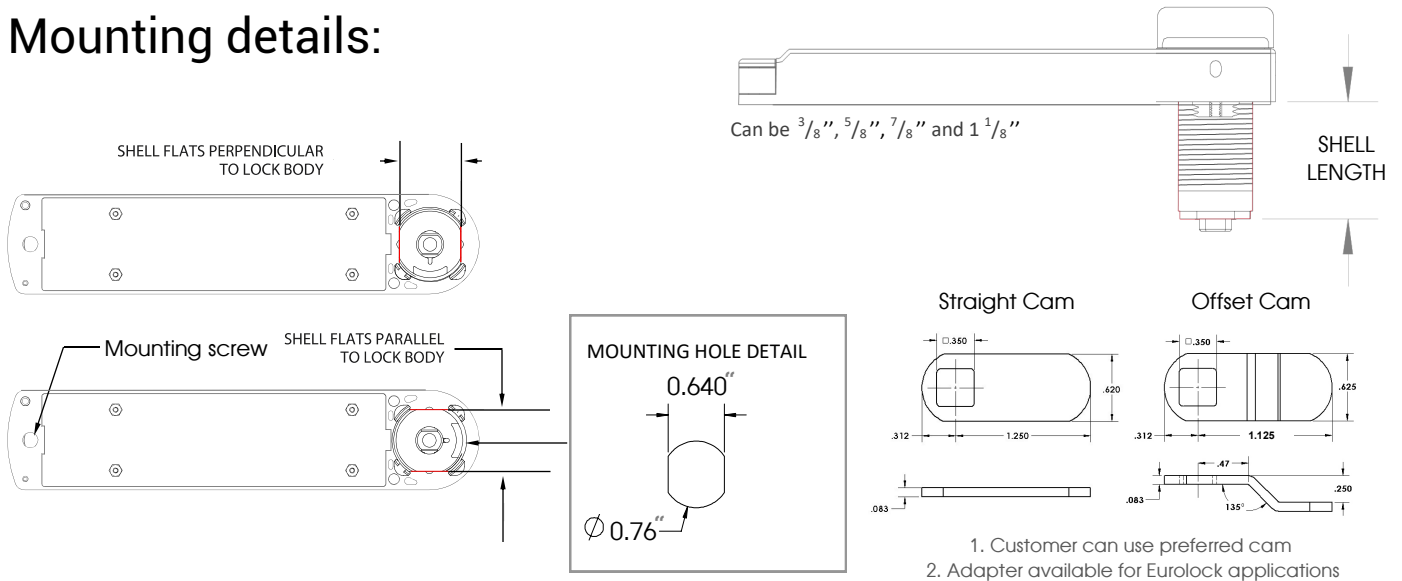
Technology

- Access with your existing RFID cards, fobs, stickers, or smartphone
- Manage access with MicroTraq, ProxTraq, and MobilTraq app/portals.
- Enterprise security administration from a single portal
- Generate audit trails to track user activity and lock/unlock attempts
- Remote enrollment of RFID cards and smartphones

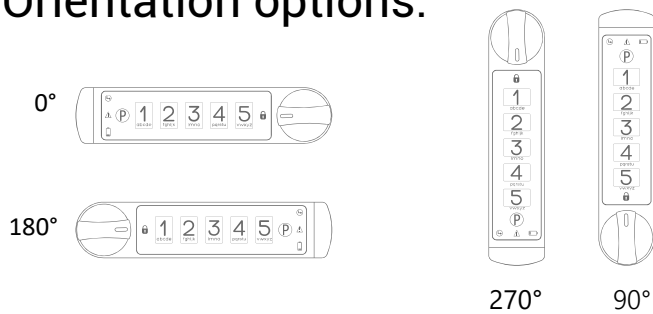
Specifications

Dimensions: 4.6"w x 0.47d x 1.01"h	Power: CR2032 coin cell battery
Network data communication: Bluetooth	Battery life: 1-2 years
Compatible Proxcards: All common standards including 125KHz (HID Prox and Prox II, HID Indala, AWID, Keri, Ving Card, COTAG, lo Prox, Honeywell, Alarm Lock, ELK, EM, E verfocus, Farpoint, IEL, Kantech, Paradox, Secura Key, Visonic, Best) and 13.56MHz (ISO/IEC 14443A & B, 15693 Standards including, iClass, MIFARE, DESFire, Tagit, ICode)	Operating modes: (1) <u>Station Mode:</u> The lock is accessed by one or more users repeatedly. The lock memory retains codes until these codes are intentionally erased or replaced. (2) <u>Locker Mode:</u> For unassigned lockers or other storage units. The user chooses any available locker and enters an RFID Card or a one-time self-selected code. This code or card is erased after the user unlocks the lock.
# of Users: Each lock can store hundreds of users	Keypad: 5 Digit
Levels of access: master (6 digits), supervisor (3-6 digits), and user (3-6 digits)	Operating temperature: 32° - 122°
Locking Mechanism: Cam (see reverse side for details)	Storage temperature: 14° to 158°
Shell length: 3/8", 5/8", 7/8", 1 1/8"	Operating moisture: 20% - 80% Rh
Knob rotation: clockwise or counterclockwise; 90 or 180 degrees	Interference: Immune to physical shock and magnetic field
Locking position: one or two	Cleaning: withstand bleach and chemical cleaners

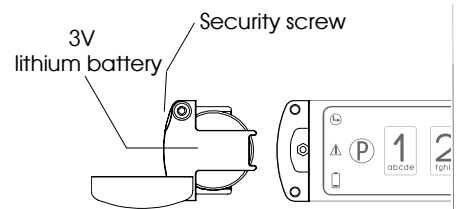
Mounting details:



Orientation options:



Power:



Lock management via ProxTraq Bluetooth and cloud database:

